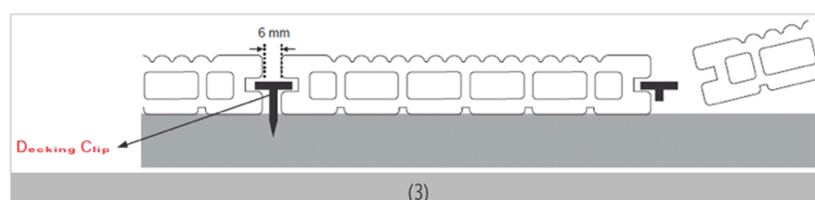
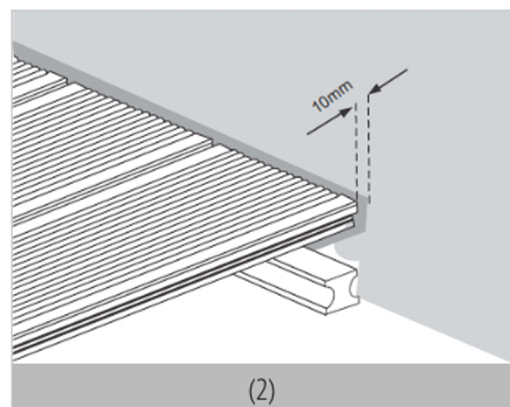
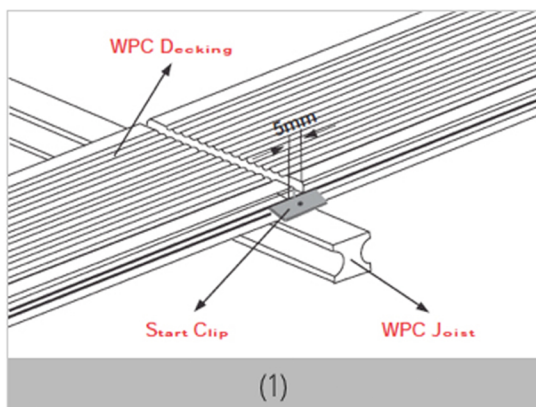


## Ground Preparation

The decking must be built on a flat base of concrete ground with an inclination to facilitate drainage.

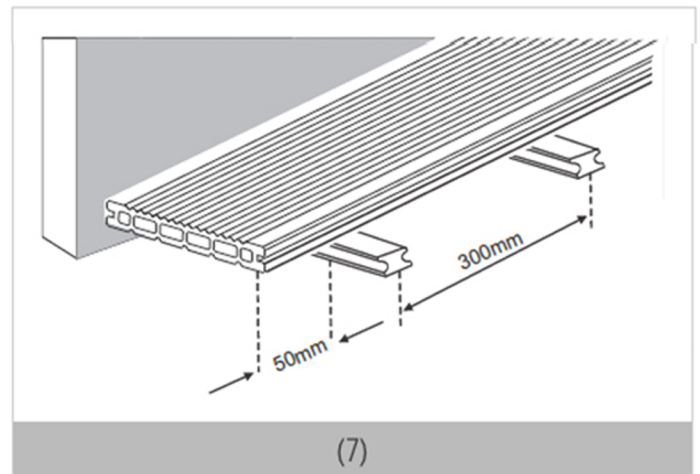
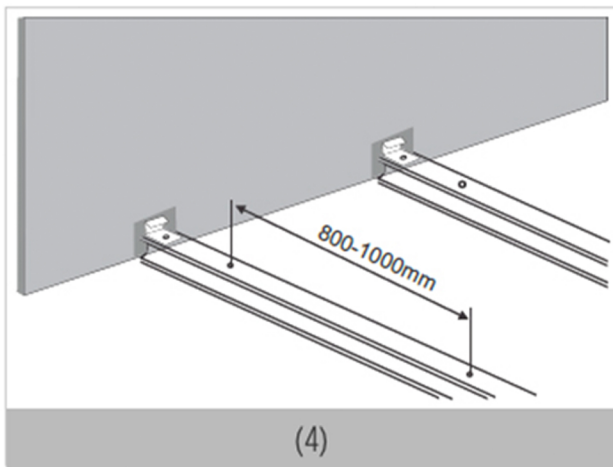
## Installation Precautions

1. Matching stainless steel screws provided by Morosgroup should be used.
2. Drilling a hole before screwing, using mèche de perceuse to be less than  $\frac{3}{4}$  screws diameter
3. Then screws can be fixed to prevent the profiles from fracturing.
4. Said screws should be inserted in a pre-drilled hole smaller  $\frac{3}{4}$  screws diameter.
5. Decking length should be less than 2500 mm.
6. The gap end to end should be 5mm (see Fig. 1).
7. The gap distance between the decking and the wall must be maintained at 10 mm (see Fig. 2).
8. When installed, decks on the ground should be fixed on the understructure (joists) through matching screws provided by Morosgroup.
9. A 6mm gap must be left between two decks and they cannot be fixed directly on the surface of the ground (see Fig. 3)
10. A batten should be used to protect the WPC decking when hammering into place.



## Understructure Installation

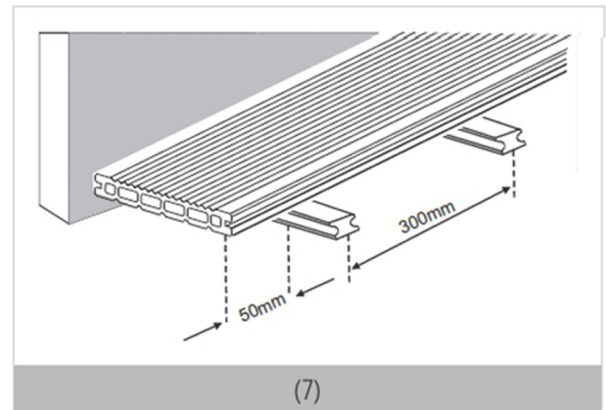
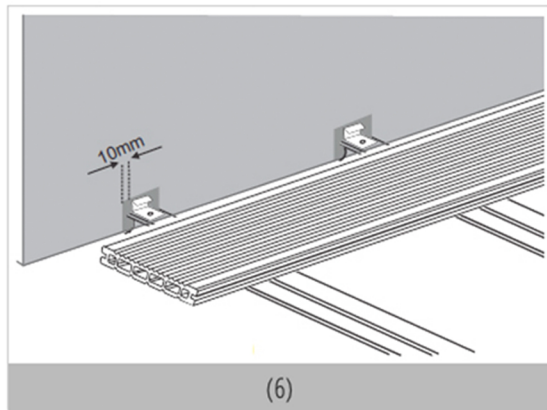
1. Use an electric drill to bore a hole on the concreted ground and then insert the expansive plastic covered screws in the holes and drill holes on the joists. Diameter should be less than  $\frac{3}{4}$  screw size.
2. Use 7 mm drills to drive into the pre-drilled 3mm depth, making sure that screws can be driven into the joists.
3. The distance between tow nails in the joist should be in the range of 800-1000 mm (see Fig. 4).
4. The distance between two understructure joists should be 300 mm (see Fig. 7).



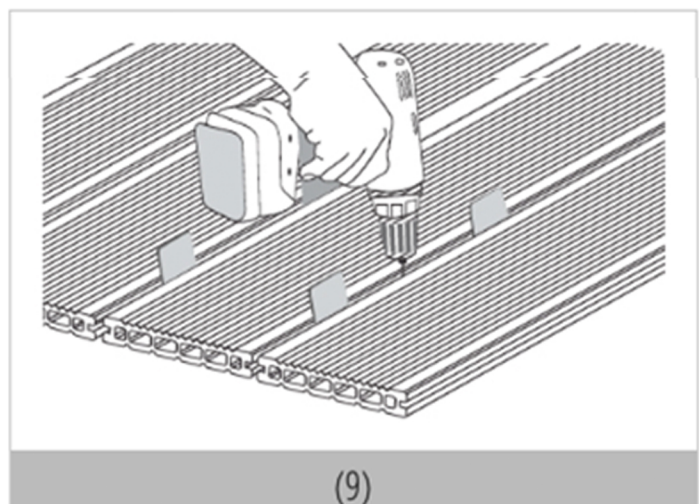
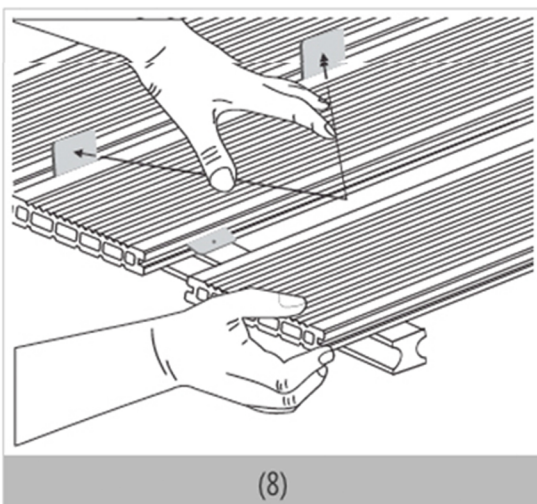
5. Moroswood understructures are not structural components; they can only be laid down on a flat ground.
6. They cannot be fastened to the ground or to each other.
7. A 10 mm gap in length must be left.

## Decking Installation

1. Fix start clip on the beginning of understructure which should be in straight alignment.  
The distance between the understructure and the wall is 10 mm (see Fig. 6)
2. The distance between the board (flooring) and the nearest understructure is 50 mm (see Fig. 7)



3. After the first board is fixed, put hidden clips (as shown in Fig. 3) into the other side of the first board and twist each screw tightly (see Fig. 8 & 9).
4. Repeat the above steps to install the other boards.
5. According to the size of the boards and joists, use matching WPC edge profile to seal.



## WPC Benefits



UV resistance and color fade resistant



Weather resistant



Never need paint



Minimal maintenance



Acid and pest resistant



Eco and environment friendly